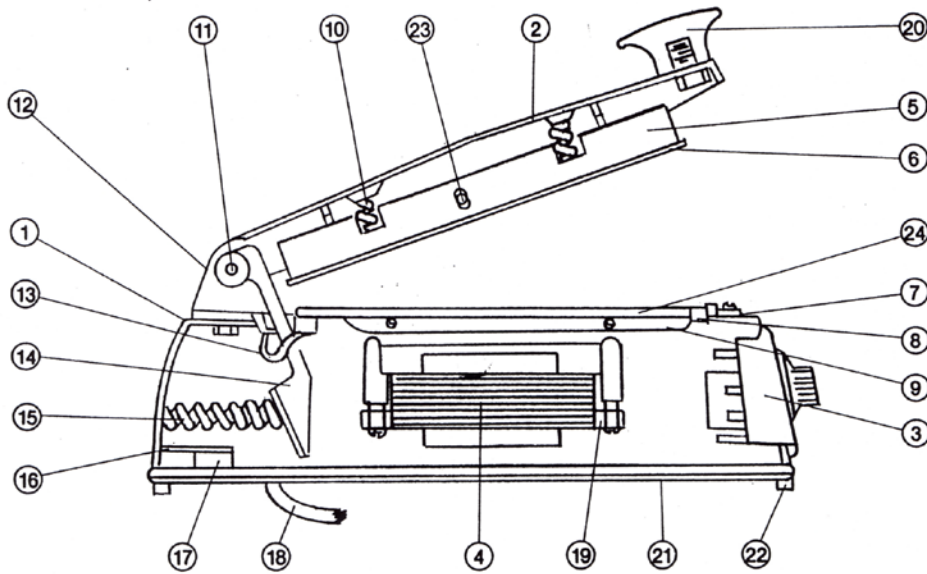
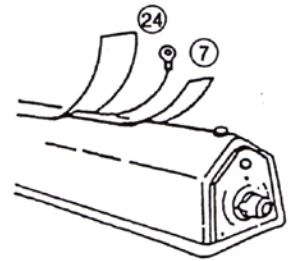


Parts Breakdown

Model SE-CN-0203 14446



ELEMENT SERVICE KIT 25





Parts Breakdown

Model SE-CN-0203 14446

Item No.	Description	Position	Item No.	Description	Position	Item No.	Description	Position
76813	Main Housing for 14446	1	19424	Spring for 14446	10	19426	Bracket for 14446	19
76814	Hand Lever for 14446	2	76816	Hand Lever Pin for 14446	11	76823	Lever Hand Knob for 14446	20
17736	Timer Assembly for 14446	3	76817	Hand Lever Bracket for 14446	12	76824	Bottom Plate Housing for 14446	21
19197	Transformer for 14446	4	76818	Tension Spring Element for 14446	13	16029	Foot Rubber for 14446	22
19422	Aluminum Support Bar for 14446	5	76819	Fulcrum Lever for 14446	14	76825	Pressure Bar Pin for 14446	23
19423	Rubber Seal for 14446	6	16028	Spring Lever for 14446	15	19425	Non Stick Coating Strip for 14446	24
76815	Sealing Band Element Trim Wire Element for 14446	7	76820	Microswitch Bracket for 14446	16	16039	Element Service Kit for 14446	25
25192	Element Insulator Tape for 14446	8	76821	Microswitch for 14446	17			
19428	Plate with Non-Stick Coating for 14446	9	76822	Power with Plug Cord for 14446	18			